



<b>Engine</b>	Cummins 4BTAA3.9
<b>Rated Power</b>	93 kW (125 hp / 126 ps) @ 2,200 rpm
<b>Nominal Amplitude Range</b>	2.0 / 1.1 mm
<b>Vibration Frequency Range</b>	30 / 33 Hz
<b>Centrifugal Force Range</b>	300 / 190 kN
<b>Working Width</b>	2,130 mm
<b>Operating Mass</b>	11,350 kg

# 6611E ROLLER

TOUGH WORLD. TOUGH EQUIPMENT.

# 6611E SPECIFICATIONS >>>

## ENGINE

Emission Regulation	Tier 2 / Stage II
Manufacturer	Cummins
Model	4BTAA3.9
Rated Power	93 kW (125 hp / 126 ps) @ 2,200 rpm
Peak Torque	480 N · m
Number of Cylinders	4
Aspiration	Turbo & air-to-air intercooled
Cooling Type	Water

## ELECTRICAL SYSTEM

System Voltage	24 V
----------------	------

## DRIVE TRAIN

Theoretical Gradeability	45%
Transmission Type	Hydraulic
1st Maximum Speed	6 km/h
2nd Maximum Speed	10.5 km/h
Min. Outside Turning Radius	6,500 mm

## STEERING

Steering System	Hydraulic
Steering Method	Articulation
Steering Angle	± 35°
Steering Relief Pressure	16 MPa

## BRAKES

Service Brake Type	Hydraulic
Service Brake Actuation	Hydraulic
Parking Brake Actuation	Mechanical apply; Hydraulic release

## OPTIONAL EQUIPMENT

Padfoot Drum Segment Kit (PDH)
--------------------------------

## TIRES

Tire Size	23.1-26-12PR
Tire Pressure	200-220 kPa

## HYDRAULIC SYSTEM

Main Pump Type	Piston Pump
Main Relief Pressure	35 MPa

## PERFORMANCE

Static Linear Front Drum Load	298 N/cm
Number of Vibrating Drums	1
Nominal Amplitude Range	2.0 / 1.1 mm
Vibration Frequency Range	30 / 33 Hz
Centrifugal Force Range	300 / 190 kN
Number of Amplitude Settings	2

## OPERATING MASS

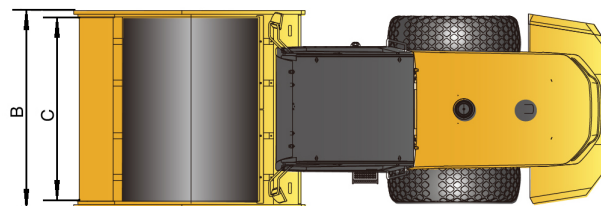
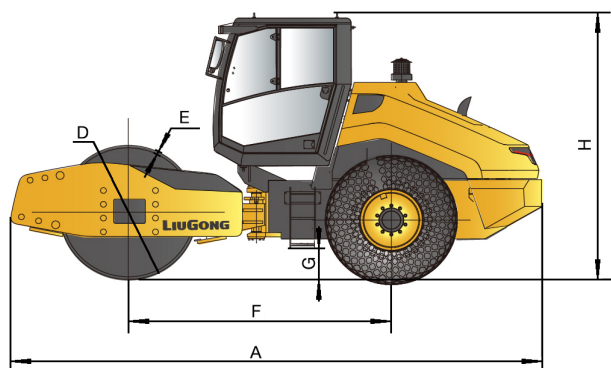
Operating Mass with Ballast	11,350 kg
Mass on Vibrating Drum	6,350 kg
Mass on Drive Axle	5,000 kg

## SERVICE CAPACITIES

Fuel Tank	200 L
Engine Oil	11 L
Hydraulic Oil Tank	100 L
Cooling System	28 L

## DIMENSIONS

A Overall Length	6,000 mm
B Overall Width	2,280 mm
C Drum Width	2,130 mm
D Drum Diameter	1,555 mm
E Drum Thickness	30 mm
F Wheelbase	2,980 mm
G Min. Ground Clearance	470 mm
H Overall Height	3,180 mm



Guangxi Liugong Machinery Co., Ltd.

No. 1 Liutai Road, Liuzhou, Guangxi 545007, PR China  
T: +86 772 3886124 E: overseas@liugong.com  
www.liugong.com

Specifications and designs are subject to change without notice. Machines shown may include optional equipment. Liugong standard and optional equipment may vary from region to region. Please consult your Liugong dealer for information specific to your area. Engine power kW is converted to horsepower (1 kW=1.3596 ps and 1 kW=1.3410 hp) in this file.

04/2020 Designed by LiuGong  
Replace the previous versions of 08/2019